

Rental code

DBA160

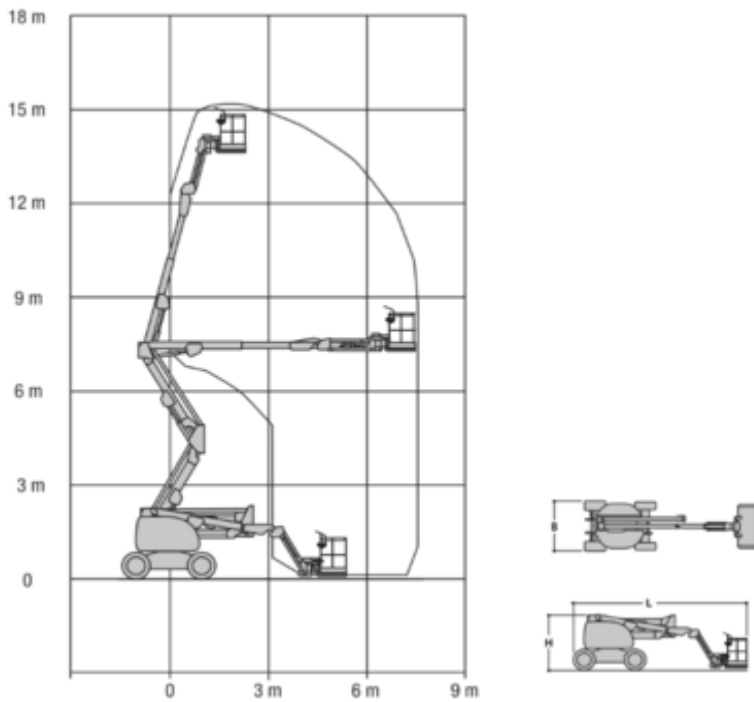
Machine rental classification

↕ 16

7.5

KG 227

Safety requirements



Machine specifications

Lifting propulsion	Diesel	Transport dimensions (LxWxH)	6.58 x 2.36 x 2.27
Driving propulsion	Diesel	Platform dimensions (LxW)	1.83 x 0.76
Max. working height (m)	15.8	Rec. number of people	2
Max. platform height (m)	13.8	Elevated manouvering	Yes
Max. working outreach (m)	7.5	Terrain & tires	Outdoor, Foam filled
Max. platform outreach (m)	7.5	Consumption (L/h)	7.6
Up and over height (m)	6.09	CO2 emission per hour (Kg)	20.292
Max. lifting capacity (Kg)	250		
Machine weight (Kg)	6495		